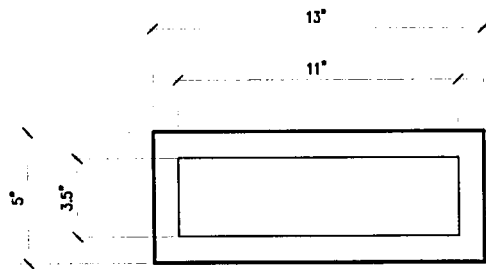
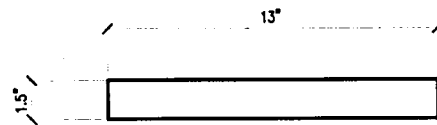


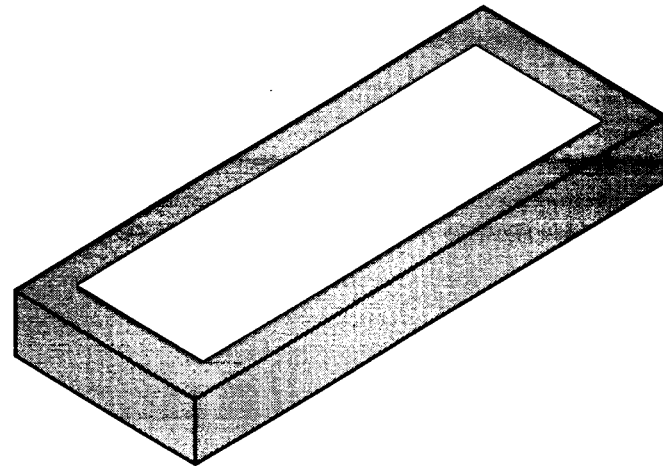
**PLAN**



**TOP VIEW**



**FRONT VIEW**



**ISOMETRIC**

**DETAIL OF PAPER BOX**  
 NOT TO SCALE